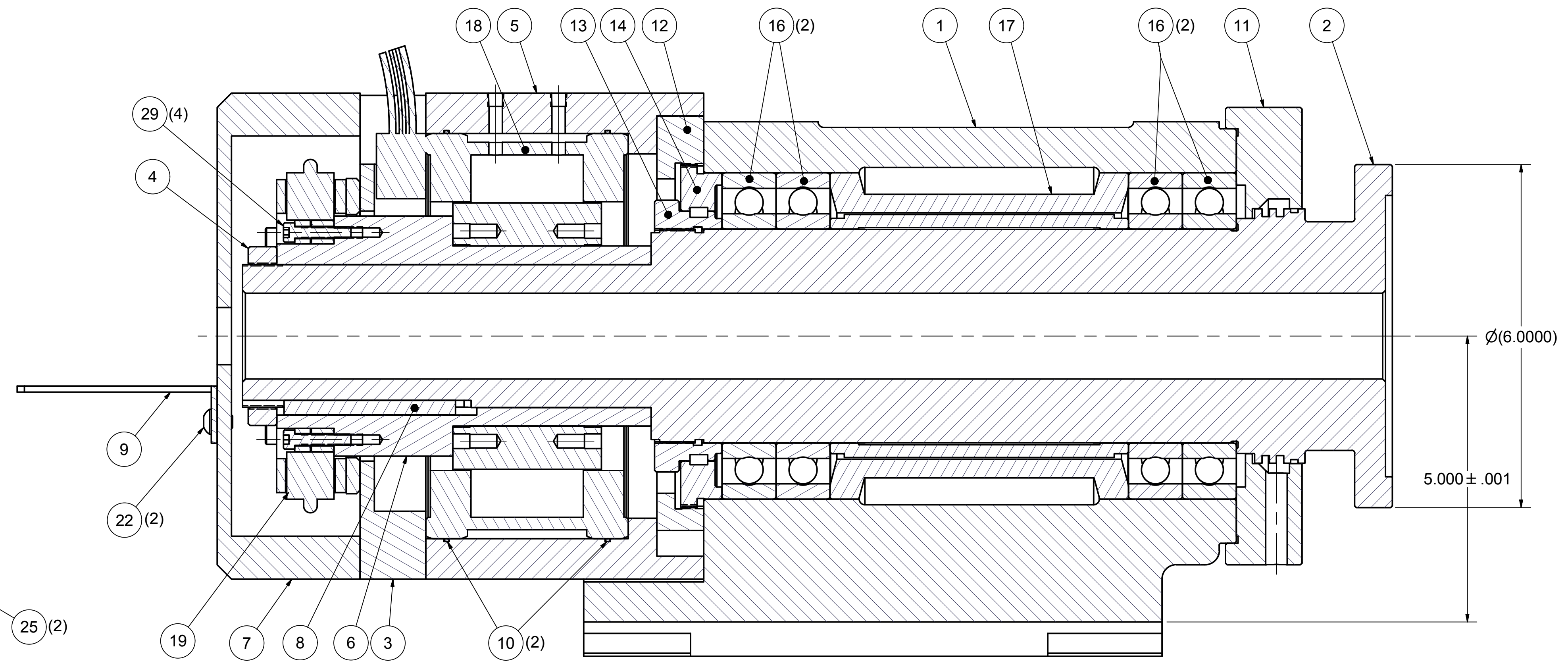
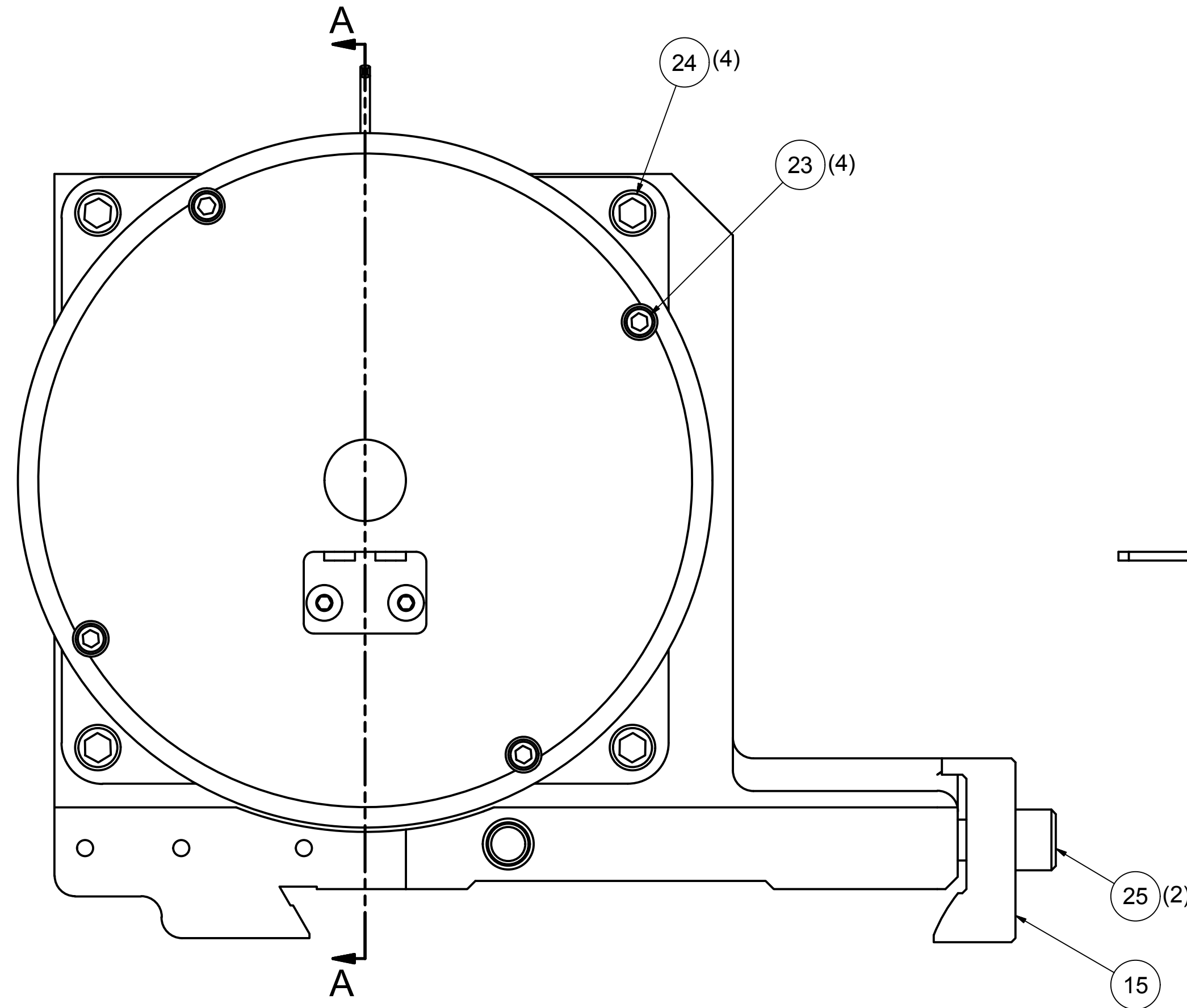
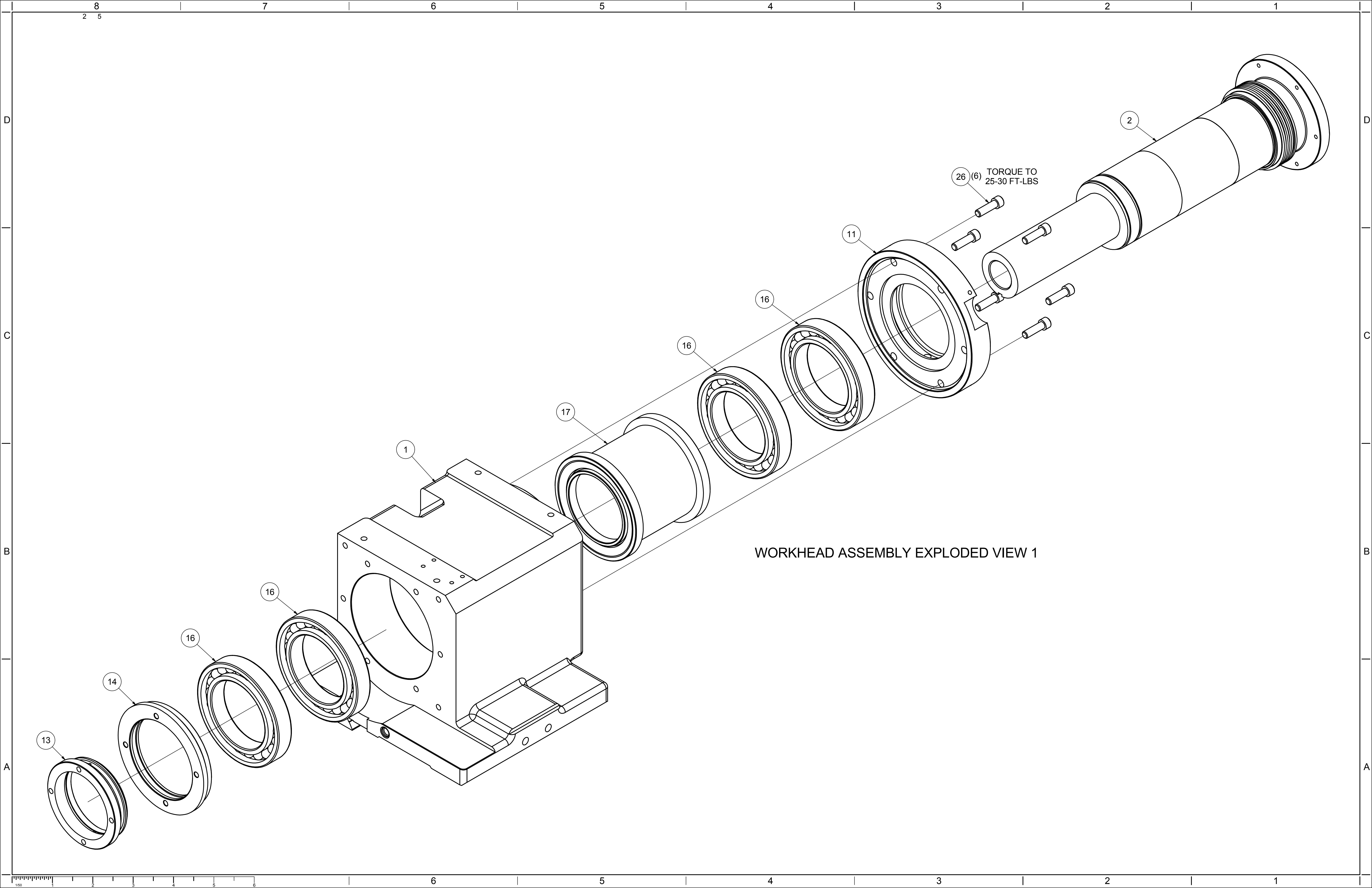


Parts List			
ITE	QT	DESCRIPTION	PART NUMBER
1	1	WORKHEAD HOUSING - INSERT ASSY	BRYANT #5L1460
2	1	SPINDLE WORKHEAD	BRYANT #5L1461
3	1	RETAINER, STATOR	BRYANT #5L1462
4	1	NUT, FLANGE	BRYANT #5L1463
5	1	HOUSING, STATOR	BRYANT #5L1464
6	1	FLANGE, STATOR	BRYANT #5L1465
7	1	END CAP, ENCODER	BRYANT #5L1466
8	1	KEY	BRYANT #5L1467
9	1	FORK, DRAWBAR	BRYANT #5L1482
10	2	O-RING, WORKHEAD	BRYANT #5L1483
11	1	BEARING RING, FRONT	BRYANT #8K1262
12	1	REAR RING, WORKHEAD	BRYANT #75056
13	1	REAR NUT, BEARING	BRYANT #74746
14	1	END NUT, WORKHEAD	BRYANT #74745
15	1	CLAMP, WORKHEAD	BRYANT #73221
16	4	BEARING	BRYANT #49360
17	1	BEARING SPACER ASSEMBLY	BRYANT #5K4001-3
18	1	FANUC DIS SERVO MOTOR D85-400is	FANUC #A06B-0483-B202
19	1	RING ENCODER	FANUC #A860-2142-T411
20	4	SOCKET HEAD CAP SCREW	M5 X .8 x 45mm
21	8	SOCKET HEAD CAP SCREW	M6 X 1 x 50mm
22	2	BUTTON HEAD SCREW	1/4-20 x 3/8
23	4	SOCKET HEAD CAP SCREW	1/4-20 x 2-3/4
24	10	SOCKET HEAD CAP SCREW	3/8-16 x 1
25	2	SOCKET HEAD CAP SCREW	1/2-13 x 1-1/2
26	6	SOCKET HEAD CAP SCREW	3/8-16 x 1-1/4
27	4	SOCKET HEAD CAP SCREW	5/16-18 x 1-1/4
28	12	SOCKET HEAD CAP SCREW	M6 X 1 x 30mm
29	4	SOCKET HEAD CAP SCREW	M5 X .8 x 25mm



SECTION A-A  
WORKHEAD ASSEMBLY



WORKHEAD ASSEMBLY EXPLODED VIEW 1

26 (6) TORQUE TO 25-30 FT-LBS

1

17

16

16

11

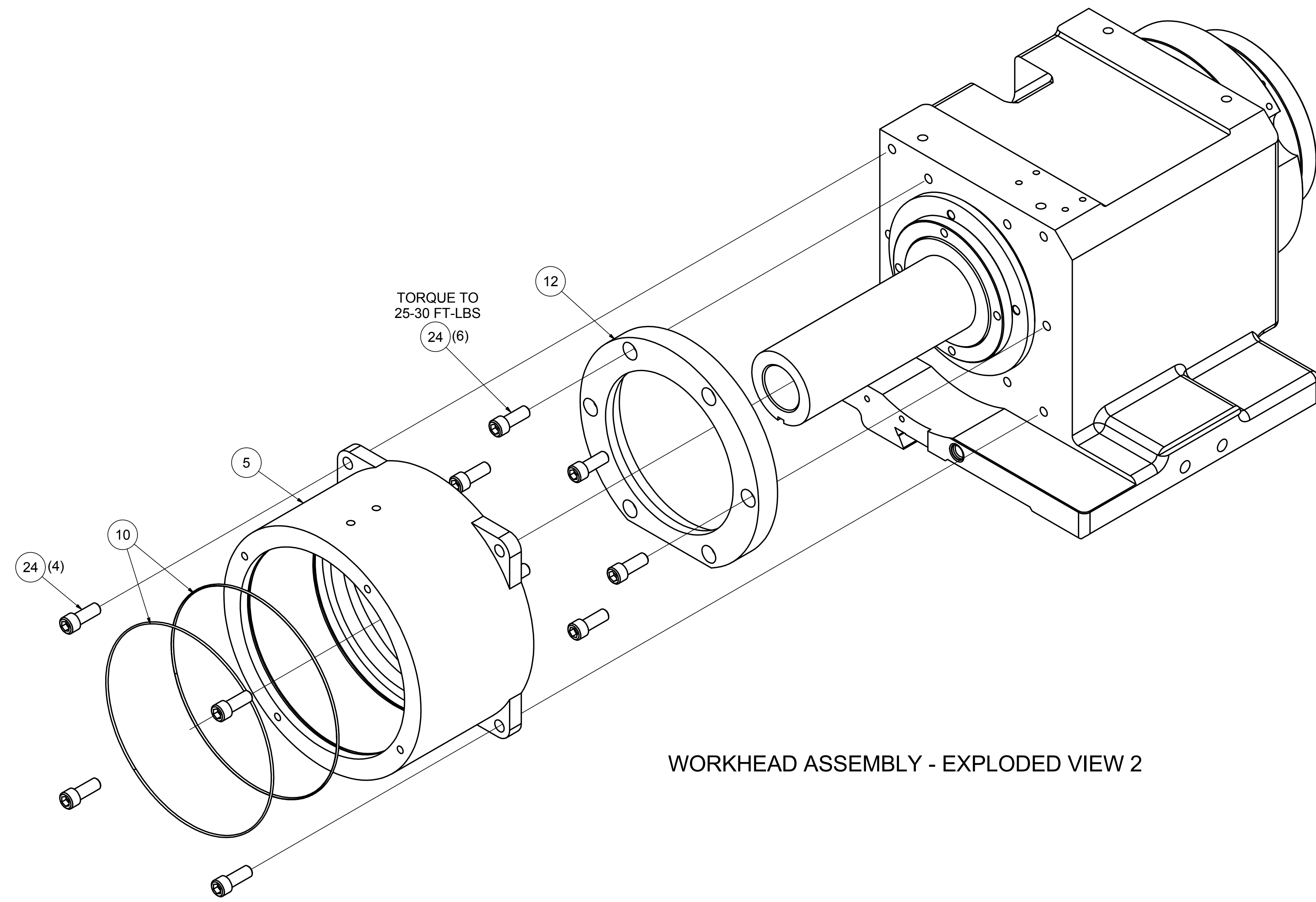
2

16

16

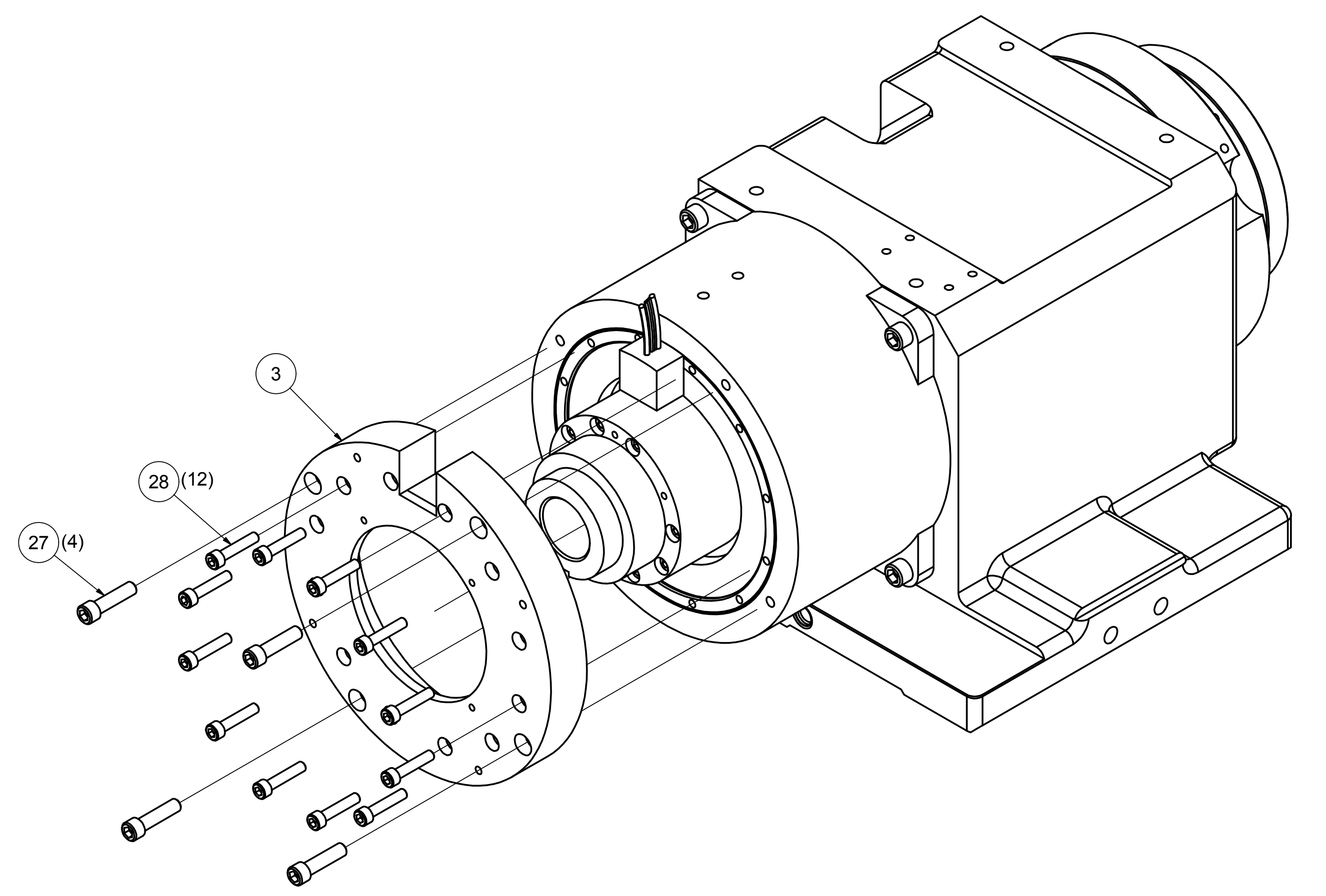
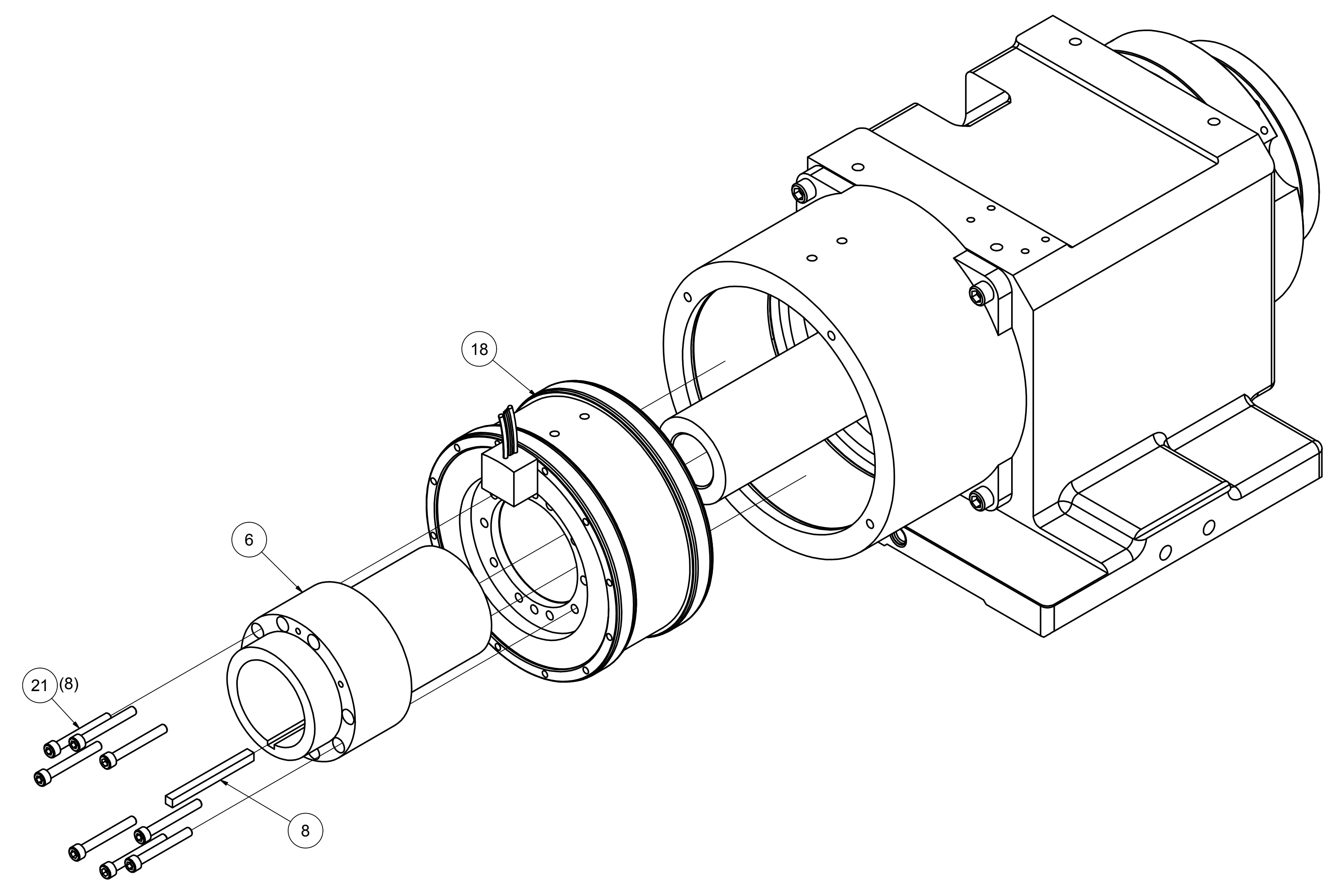
14

13



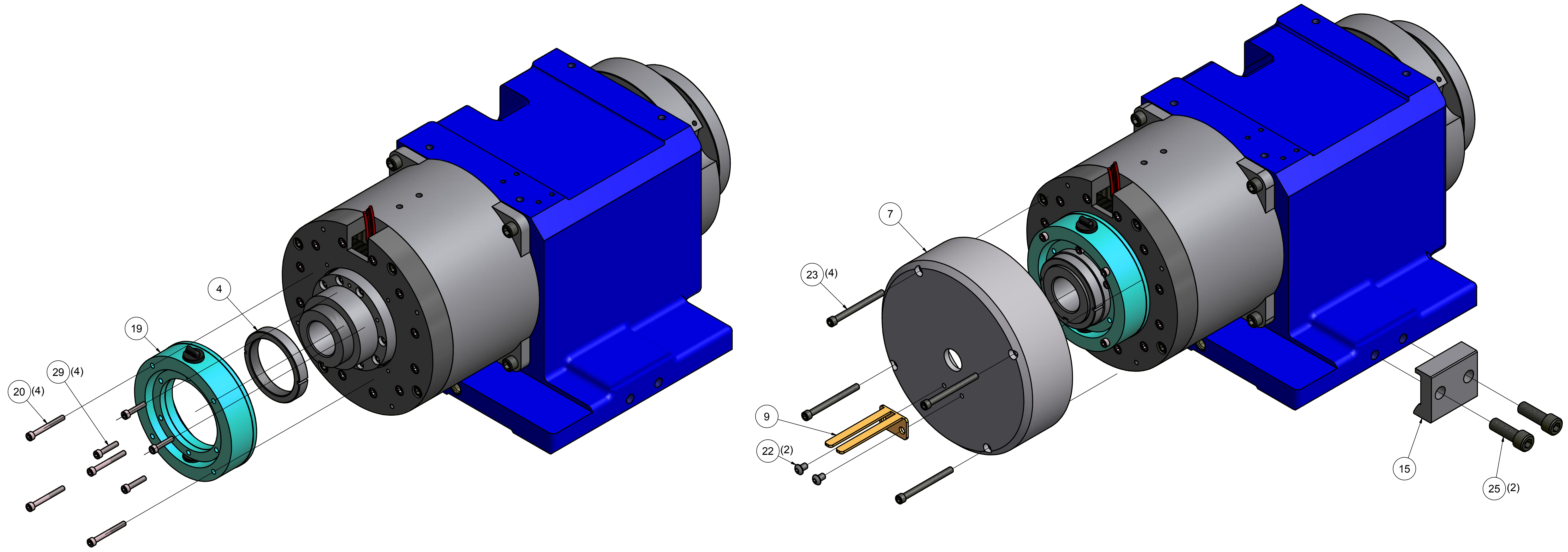
TORQUE TO  
25-30 FT-LBS

WORKHEAD ASSEMBLY - EXPLODED VIEW 2



WORKHEAD ASSEMBLY EXPLODED VIEW 3





WORKHEAD ASSEMBLY EXPLODED VIEW 4